

First Notice



Safety Notice

Mandatory Action Required

170004

North America

Genie
A TEREX BRAND

Date:	September 22, 2017
Affected Option:	Operator Protective Alarm (OPA)
Models and Serial Numbers Affected:	See pages 4 to 6
Field Install Kits Affected:	125563 - for all Z-45/25 DC models 1255096 and 1276063 - for machines equipped with ALC500 operating system 1255564 and 1273064 - for machines equipped with ALC1000 operating system.
Subject:	Operator Protective Alarm (OPA) mounting
Allowable Hours:	1 hour

Issue:

Genie has determined that the Operator's Protective Alarm (OPA) installed on any of the models listed on page 6 is equipped with a mounting bracket that may become loose. **This may cause the OPA assembly to fall off the machine resulting in a collision hazard.**

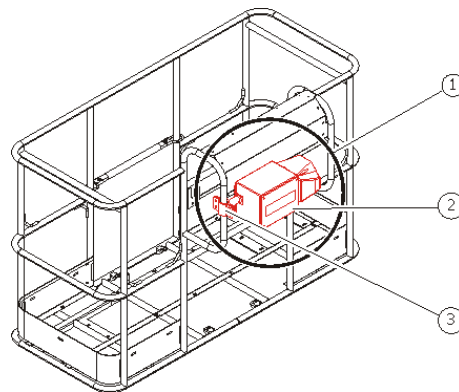


Illustration 1

- 1 OPA Assembly
- 2 OPA Control Box Assembly
- 3 Mounting Bracket

First Notice



Safety Notice

Mandatory Action Required

170004

North America

Genie
A TEREX BRAND

Action(s) Required:

This Safety Notice requires installing a reinforcement structure around the OPA assembly.

- 1 Locate the machines where the affected OPA assemblies were installed within your fleet.
- 2 Locate the OPA assembly and inspect the mounting bracket.

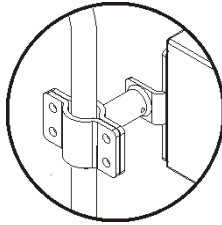


Illustration 2

Silver mounting bracket

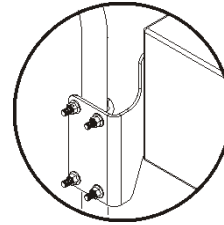


Illustration 3

Black mounting bracket

- 3 Using the table below, determine the OPA kit part number to order for your OPA assembly.

Table 1 - OPA Kit to order

Mounting Bracket Type	Kit Part Number
Silver mounting bracket	1275550GT
Black mounting bracket	1277210GT

- 4 Install the kit on the affected OPA assembly.

Completion of this Safety Notice must take place as soon as possible, but no later than 30 days from receipt of the kit.

- 5 Fill out and sign the completion form included in this Safety Notice or attached to the installation instructions included in the kit and fax or email to Terex AWP Warranty Department. This will serve as verification that you have completed Safety Notice 170004.

First Notice



Safety Notice

Mandatory Action Required

170004

North America

Genie
A TEREX BRAND

Continued Use Instructions:

All machine operators and users must be notified of these continued use requirements.

You may continue using the OPA assembly with the machine. However, the OPA assembly must be removed from the machine before transport. Re-install the OPA assembly at the worksite.

Note: Perform this procedure on a firm, level surface with the machine in the stowed position.

- 1 Locate the OPA harness connectors (items 1 and 2).

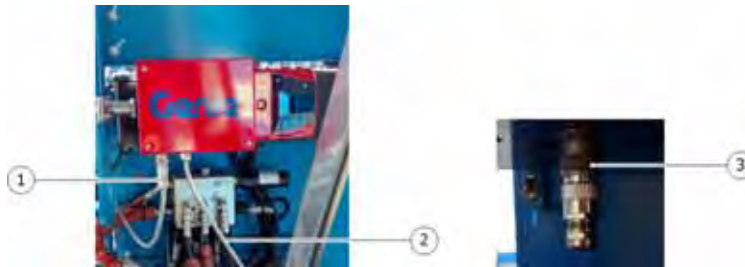


Illustration 4

- 1 harness connector 1 (tape switch)
- 2 harness connector 2 (platform control box or footswitch)
- 3 blanking plug (Genie part number 1255030GT)

- 2 Disconnect harness connector 1 from the red OPA control box. Secure the harness.
- 3 Disconnect harness connector 2 from the platform control box or footswitch. Secure the harness.
- 4 Locate the blanking plug (Genie part number 1255030GT) from the machine document box and plug into the platform or footswitch connector where harness connector 2 was removed.

Note: The machine will not function if this connection is not plugged.

- 5 Disconnect the mounting bracket from the platform. Refer to illustrations 2 and 3 on page 2.

Note: Make sure to keep the mounting fasteners.

- 6 Set the red OPA control box on the platform and secure with a suitable tie down.

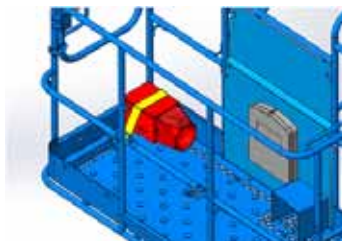


Illustration 5

First Notice



Safety Notice

Mandatory Action Required

170004

North America



Models and Serial Numbers Affected:

Machines equipped with the OPA option shipped from the factory within the following models and serial ranges:

S- Booms

Model	Serial Number	Model	Serial Number
S-40:	S4016H-22271 to 22992 S40H-23501 to 23507	S-80X:	S80X15-12809 to 12809 S80X16H-13425 to 13778
S-45:	S4514-19235 to 19793 S4515-20522 to 21728 S4516-21900 to 21908 S4516H-21969 to 22991 S45H-23540 to 23746	S-85:	S8016D-186 to 304 S85D-340 to 443 S8513-10539 to 10539 S8514-11075 to 11774 S8515-12657 to 13171 S8516H-13404 to 13777 S85H-14003 to 14070
S-60X:	S60X16N-31267 to 31279 S60X16H-35249 to 36162 S60XH-36502 to 36592	S-105:	S10516D-1391
S-60 / S-65:	S6014A-27677 to 28862 S6015A-29739 to 31084 S6015D-202 to 330 S6016D-395 to 630 S60D-640 to 794 S6015H-35025 to 35030 S6016H-35036 to 36160 S60H-36400 to 36610 S6016M-103 to 195 S60M-400 to 486 S6016N-31323 to 31356	S-125:	S12513D-553 to 612 S12514D-907 to 908 S12515D-1065 to 1305 S12516D-1353 to 1472
S-65TRAX:	S60TXD-654 to 850 S60TX16H-35874 to 36161	SX-135XC:	SX135H-113 to 125
		SX-150:	SX15016H-197 to 227
		SX-180:	SX-18014-141: SX-18015-210 to 275 SX-18016H-320 to 352 SX-180H-601

First Notice



Safety Notice
Mandatory Action Required

170004

North America



Z- Booms

Model	Serial Number	Model	Serial Number
Z-45/25:	Z452514A-51329 to 52779 Z452515A-53296 to 55001 Z452516A-55090 to 55104 Z452514B-3656 to 4265 Z452515B-4283 to 5375 Z452516B-5421 to 5433 Z45216D-750 to 773 Z452516D-708 to 912 Z4525D-963 to 1243 Z452516M-5455 to 6415 Z4525M-6700 to 7191 Z452516N-55302 to 56865 Z4525N-57202 to 57355	Z-62:	Z6215A-112 to 846 Z6216A-967 Z6216D-108 to 136 Z62D-150 to 197 Z62H-3004 to 3059 Z6216M-101 to 102 Z62M-405 to 540 Z6216N-1091 to 2034
Z-51:	Z513015B-1496 to 1507 Z513016M-1647 to 1706 Z5130M-2014 to 2120	Z-80:	Z8014-4823 to 5204 Z8015-5309 to 5749 Z8016-5776 to 5777 Z8016H-5876 to 6208 Z80H-6400 to 6515
Z-60:	Z6014-13514 to 14265 Z60H-705 to 724 Z6016N-210 to 400 Z60N-640 to 640	ZX-135:	ZX13513-2222 to 2229 ZX13514-2482 to 2483 ZX13515-2557 to 2783 ZX13516H-2813 to 2973 ZX135H-3202 to 3246

First Notice



Safety Notice

Mandatory Action Required

170004

North America

Genie[®]
A TEREX BRAND

Models Affected:

The OPA Assembly can be installed in the following models.

S- Boom Models

S-40
S-45
S-40Trax
S-45Trax
S-60
S-65
S-60X
S-60XC
S-60Trax
S-65Trax
S-80
S-85
S-80X
S-100
S-105
S-120
S-125
SX-135 XC
SX-150
SX-180

Z- Boom Models

Z-45/25 IC
Z-45/25J IC
Z-45/25 DC
Z-45/25J DC
Z-45/25 Bi-Energy
Z-45/25J Bi-Energy
Z-51/30
Z-60/34
Z-60/37 DC
Z-60/37 FE
Z-62/40
Z-80/60
Z-135/70
ZX-135/70

To order parts:

Machine owners with a valid Genie account can contact the Terex AWP Parts Department to place an order through one of the following:


Genie Website:
<https://www.gogenielift.com/default.aspx>
Fax: 1-888-274-6192
Phone: 1-800-536-1800

Machine owners without a valid Genie account can contact their nearest Terex AWP dealership or Terex AWP Service Centers for assistance.

Search for your nearest Terex AWP dealership by visiting our website at:

<http://www.genielift.com/dealersearch/>

First Notice

	Safety Notice <i>Mandatory Action Required</i>	170004	Genie A TEREX BRAND
		North America	

Warranty:

The labor and travel miles required to perform this Safety Notice are covered under the provisions of our LIMITED PRODUCT WARRANTY statement. Warranty claims can be submitted online, by paper claims, fax or email. If you need more information about filing a warranty claim, please contact Terex AWP Warranty Department at:

Email (North America):	AWP.Warranty@terex.com
Email (Asia-Pacific):	warranty.awpchina@terex.com
Email (Brazil):	AWP.Warrantybrazil@terex.com
Email (all others):	AWP.Warranty@terex.com
United States:	+ 1-800-536-1800
Canada:	+ 1-425-881-1800
Asia-Pacific:	+ 86-21-347028555
Brazil:	+ 0-800-031-0100
South America (except Brazil):	+ 56-9-6431-2110
All other locations:	+ 1-425-881-1800

Genie and local industry standards (e.g. ANSI, CSA) requires that the seller of a Genie machine report to Genie the model and serial number of each machine sold, as well as the name, address, and telephone number of the new owner, within 60 days of the sale. Use the Owner Update Form attached to the bulletin to indicate the new location or status of any of your machines. You may also visit our website to register your machine.

[Machine Registration_ANSI http://www.genielift.com/en/service-support/product-registration/index.htm](http://www.genielift.com/en/service-support/product-registration/index.htm)

Genie, OSHA and local industry standards, also require that the manufacturer's Safety Notice be completed. It is your responsibility to communicate this important information to all machine owners and applicable branches. If you require additional copies of this Safety Notice or have any questions, please contact Genie Product Support at:

United States:	+ 1-800-536-1800
Canada:	+ 1-425-881-1800
Asia-Pacific:	+ 86-21-347028555
Brazil:	+ 0-800-031-0100
South America (except Brazil):	+ 56-9-6431-2110
All other locations:	+ 1-425-881-1800

Enclosures:

- Customer Machine List
- New Owner Update Form
- Completion Form



Safety Notice 170004

New Owner Update Form

(for updating machine owner information only)

Genie and ANSI requires that the seller of a Genie machine report to Genie the model and serial number of each machine sold, as well as the name, address, and telephone number of the new owner, within 60 days of the sale.

- If you have sold a machine, list new owner's name, address and phone number, for each machine. List complete model and serial number (ex. S6015A-29739, S80X16H-13576, S12515D-1279, Z452516M-5481, Z8016H-6127)

New Owner Information:

	Machine 1	Machine 2	Machine 3
Model*	<input type="text"/>	<input type="text"/>	<input type="text"/>
Serial Number *	<input type="text"/>	<input type="text"/>	<input type="text"/>
Owner Name*	<input type="text"/>	<input type="text"/>	<input type="text"/>
Address 1*	<input type="text"/>	<input type="text"/>	<input type="text"/>
Address 2	<input type="text"/>	<input type="text"/>	<input type="text"/>
City/State/Zip*	<input type="text"/>	<input type="text"/>	<input type="text"/>
Phone Number*	<input type="text"/>	<input type="text"/>	<input type="text"/>
Contact Person	<input type="text"/>	<input type="text"/>	<input type="text"/>

* Required fields

Seller Information:

Date:

Company Name:

Account #:

Address:

(street):

(city):

(state, zip code) :

Phone #:

- List any machines that could not be inspected or repaired because of the following:

Model & Serial Number	Scrapped	Exported	Stolen	Other (explain)
<input type="text"/>	<input type="text"/>	<input type="text"/>	<input type="text"/>	<input type="text"/>
<input type="text"/>	<input type="text"/>	<input type="text"/>	<input type="text"/>	<input type="text"/>
<input type="text"/>	<input type="text"/>	<input type="text"/>	<input type="text"/>	<input type="text"/>
<input type="text"/>	<input type="text"/>	<input type="text"/>	<input type="text"/>	<input type="text"/>

Fax to:

United States: 1 877-738-7530	Latin America: + 55 11 3246-9760
Canada: 1 425-498-7530	Central America: + 1 425 498 7530
Mexico: 1 425-498-7530	Asia-Pacific: + 1 425 498 7530
Caribbean: + 1 425 498 7530	All other locations: + 1 425 498 7530



Safety Notice 170004

Completion Form

Your signature on this form will verify that you have completed Safety Notice 170004 on the machines listed below.

Please note that this is not a Warranty Claim Form. A Warranty Claim Form must be submitted to the Terex AWP Warranty Department for reimbursement under the provisions of our standard warranty terms and conditions.

Fax to:

United States:	1 877-738-7530	United Kingdom:	+ 44 1476 584 334
Canada:	1 425-498-7530	France:	+ 33 237 260 998
Australia:	+ 61 733751002	Germany:	+ 49 4221 491 820
Latin America:	+55 11 3246-9760	Italy:	+ 39 075 941 8146
Central America:	+ 1 425 498 7530	Iberica:	+ 34 935 725 080
Caribbean:	+ 1 425 498 7530	Scandinavia:	+ 46 3157 5104
Mexico:	+ 1 425 498 7530	Middle East:	+ 97 143 990 382
Asia-Pacific:	+ 1 425 498 7530	All other locations:	+ 31 165 510 826
All other locations:	+ 1 425 498 7530		

Email to: AWP.Warranty@terex.com

Date: _____

Company Name: _____

Account # (if applicable): _____

Address: _____

(street): _____

(city): _____

(state, zip code): _____

Phone: _____

Please list the complete machine serial number (ex. S6015A-29739, S80X16H-13576, S12515D-1279, Z452516M-5481, Z8016H-6127).

Check the one that applies to your machine.

Model	Serial Number	OPA Assembly	
		Factory Installed	Field Installed / Invoice Number
_____	_____	<input type="checkbox"/>	<input type="checkbox"/> / _____
_____	_____	<input type="checkbox"/>	<input type="checkbox"/> / _____
_____	_____	<input type="checkbox"/>	<input type="checkbox"/> / _____
_____	_____	<input type="checkbox"/>	<input type="checkbox"/> / _____
_____	_____	<input type="checkbox"/>	<input type="checkbox"/> / _____

Print (service manager) _____ Signature _____ Date _____